

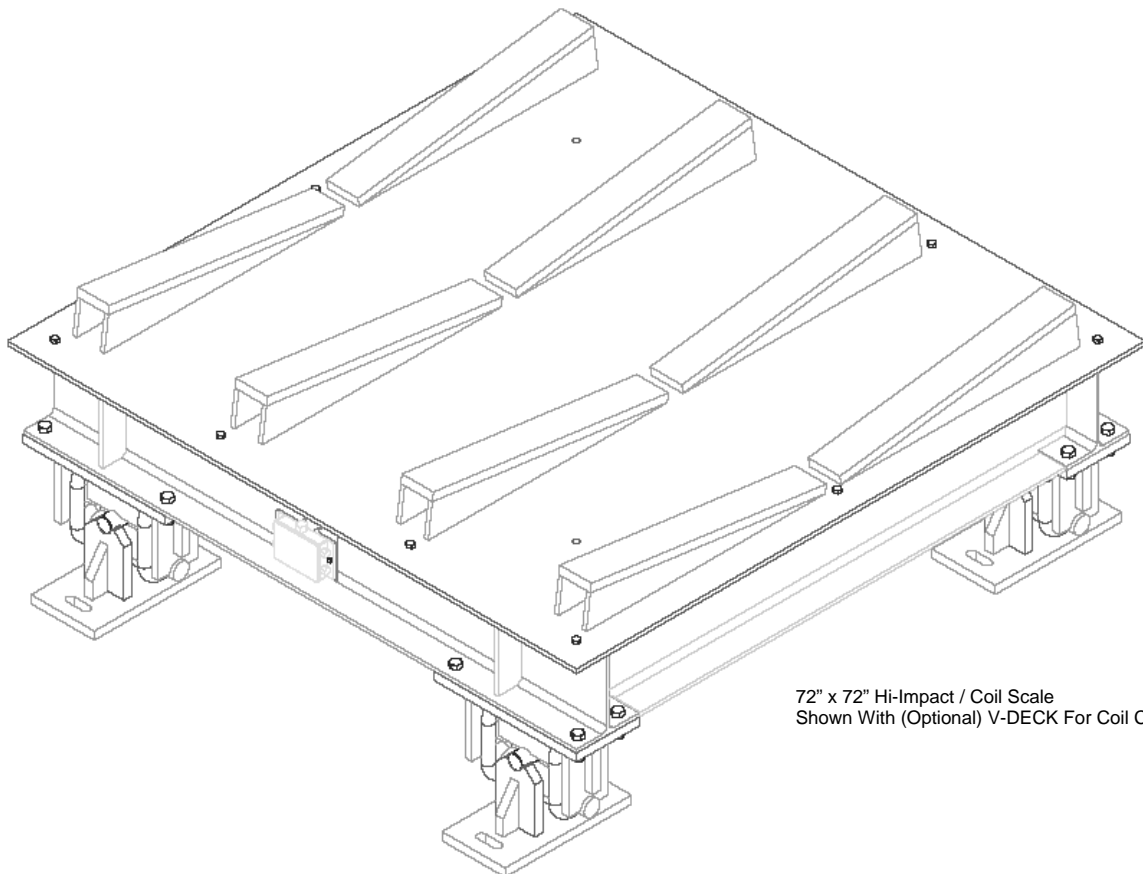
# Hi-Impact / Coil



## Hi-Impact / Coil Scale

### General Specifications

- Certificate of Conformance: 97-132
- Type: Above ground or pit
- Scale Capacity: 20,000 - 120,000 lbs.
- Scale Height: 24" - 36" based on platform size and capacity
- Available Sizes: 4' x 6' ( 24 sq/ft ) - 10' x 20' ( 200 sq/ft )
- Weighbridge Deck: 1/2" smooth plate **bolted** to weighbridge I-beam structure
- Steel Preparation: Commercial blast cleaning SSPC-SP6
- Paint System: Cross-Linked two-part Epoxy - 2 to 4 mil primer base coat  
Two-part UV resistant Polyurethane - 2 to 4 mil top coat
- Load Cell: 25K - 100K double ended shear beam—parallel link suspension system
- Junction Box: NEMA 4X stainless steel enclosure and B-TEK 4-cell summing board
- Warranty: 3-Year weighbridge warranty covering defects in materials and workmanship  
2-Year components warranty covering defects in materials and workmanship



72" x 72" Hi-Impact / Coil Scale  
Shown With (Optional) V-DECK For Coil Centering